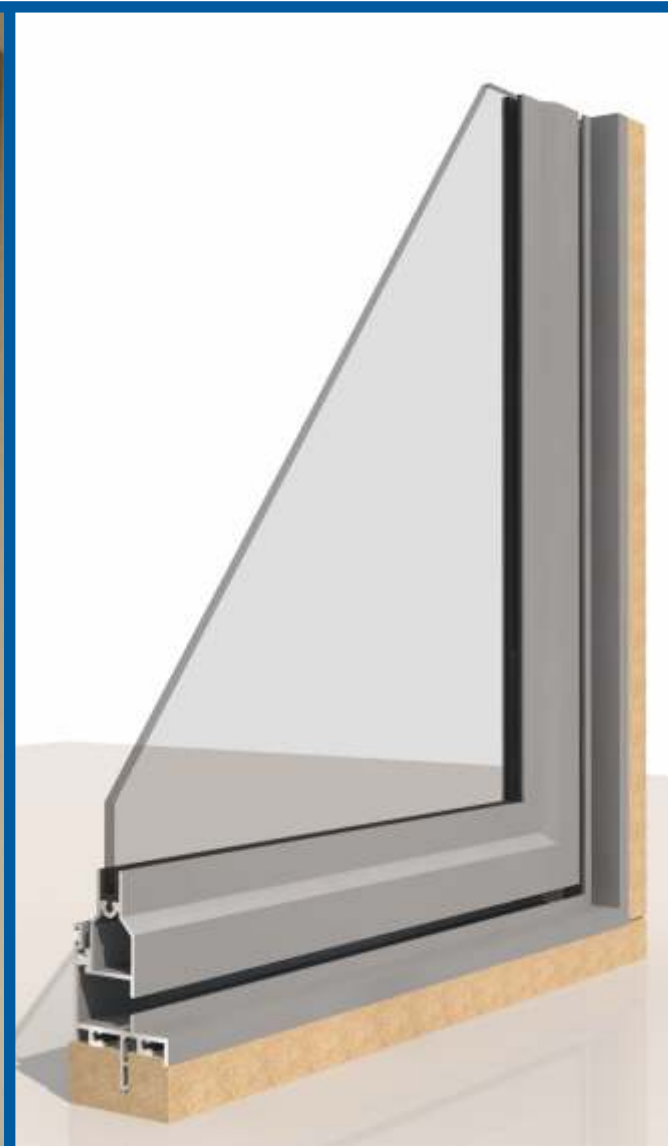


# Hinged Units

## Luxury Subframe Section Guide



DURATION  
WINDOWS



# Contents



## Parts

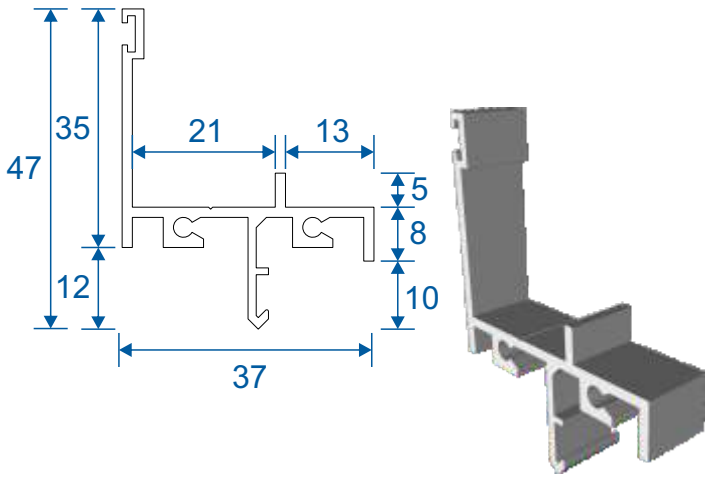
All Parts	3
-----------	---

## Sections

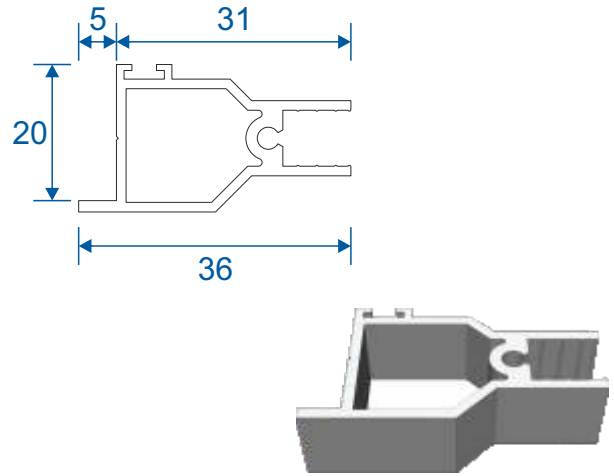
Single Side Hung - Butt Hinged	4
Double Side Hung - Butt Hinged	5
Single Side Hung - Friction Hinged	6
Single Top Hung - Friction Hinged	7

# Parts

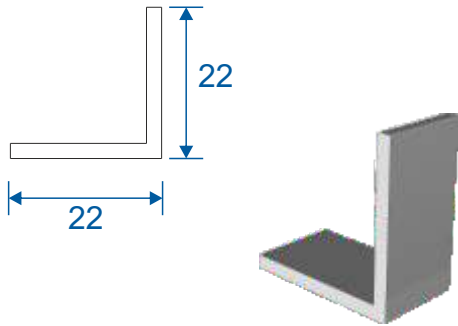
## SG70 - Frame For Luxury Sub



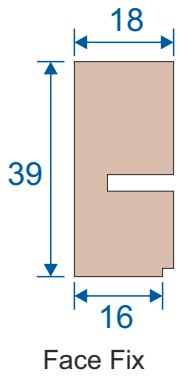
## SG69 - Hinged Sash



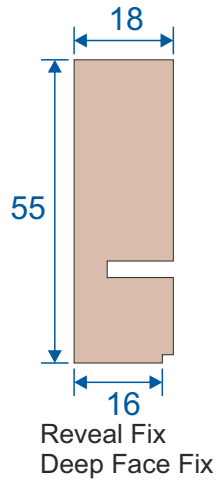
## SG L1 - Meeting Stile



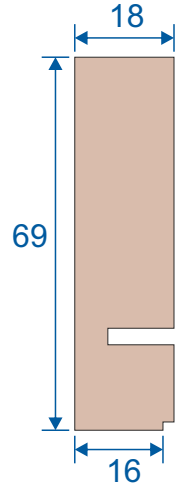
## SF1



## SF3

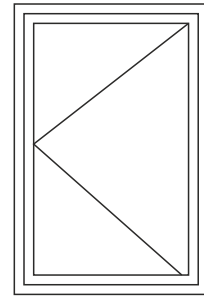
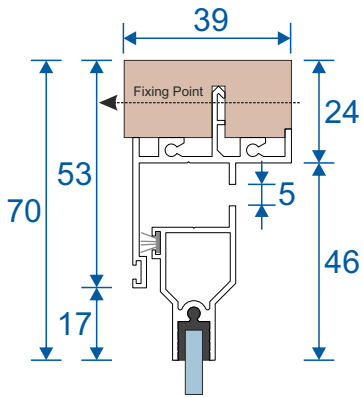


## SF4

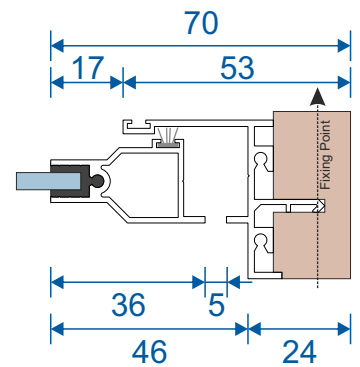
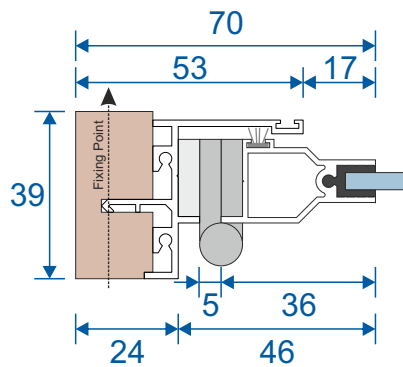
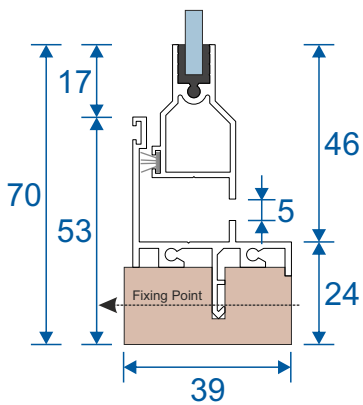


# Frame Sections

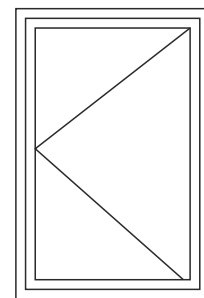
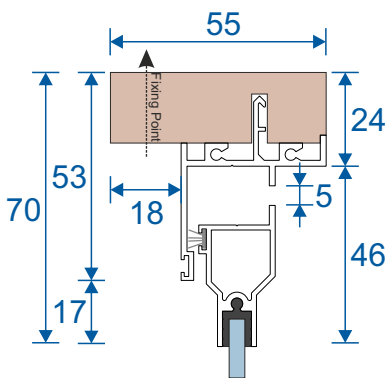
## Single Side Hung Butt Hinged - Face Fix



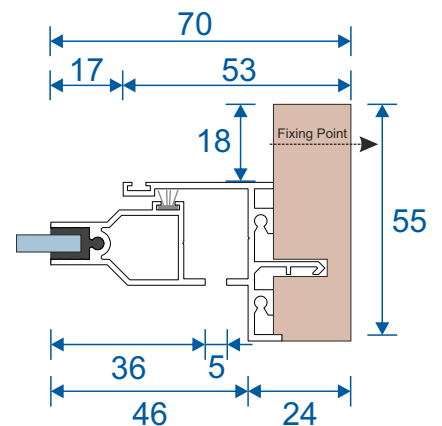
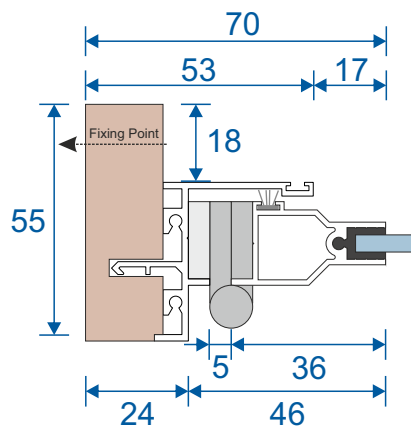
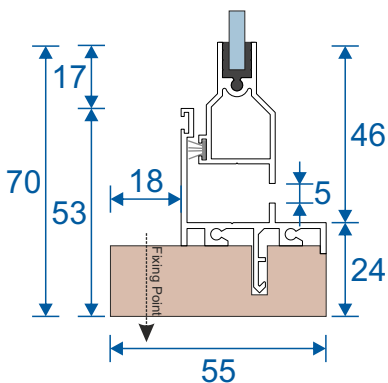
Single Butt Hinged  
Max Opening Angle: 150°±



## Single Side Hung Butt Hinged - Reveal Fix

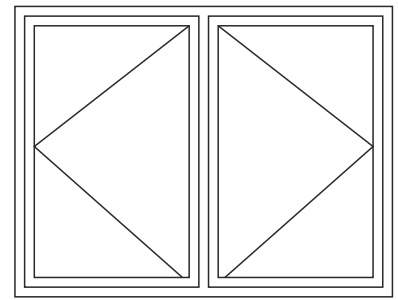
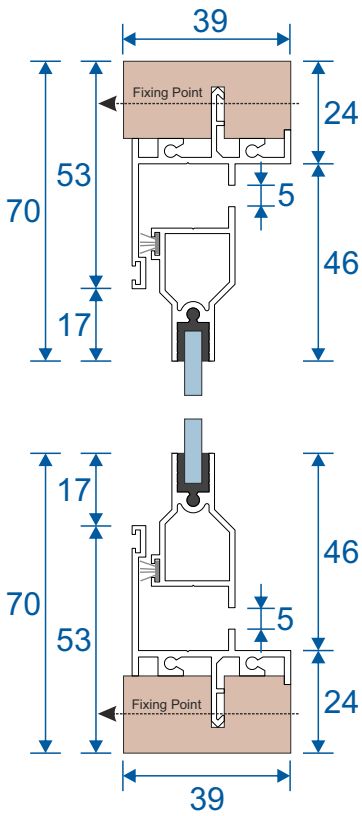


Single Butt Hinged  
Max Opening Angle: 150°±

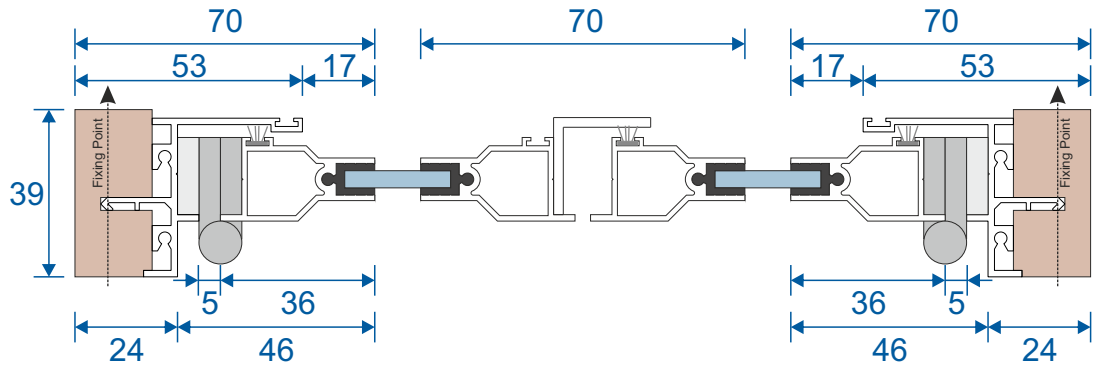


# Frame Sections

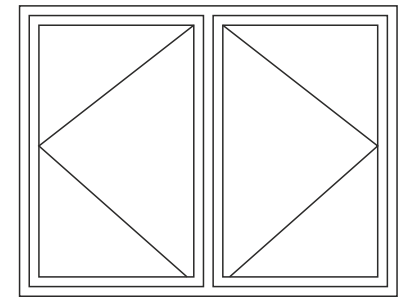
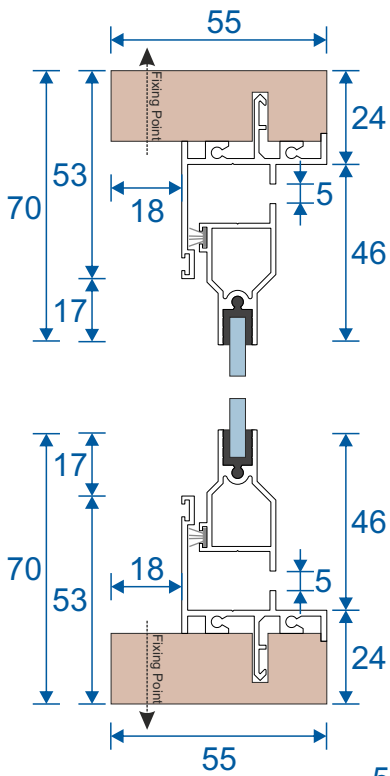
## Double Side Hung Butt Hinged - Face Fix



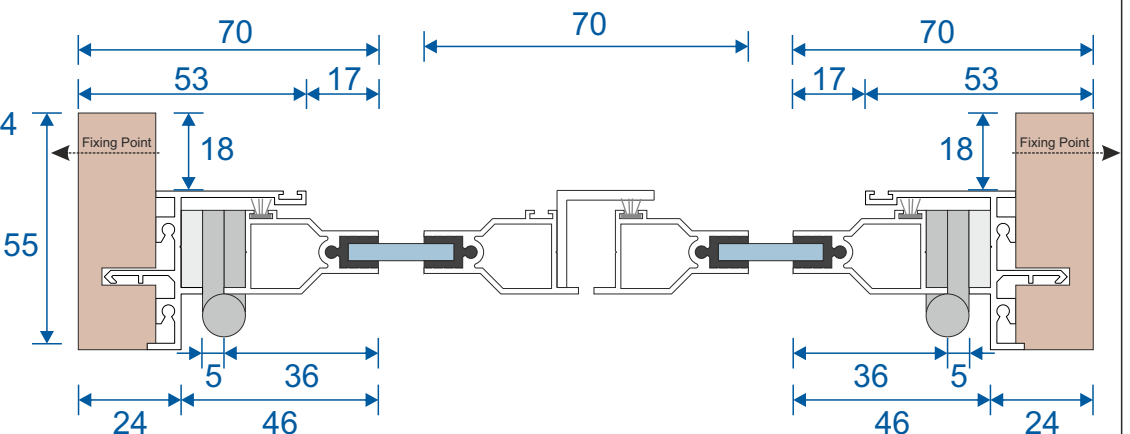
Double Butt Hinged  
Max Opening Angle: 150°±



## Double Side Hung Butt Hinged - Reveal Fix

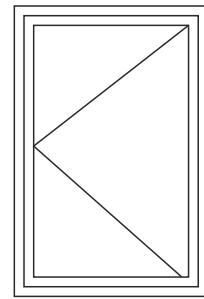
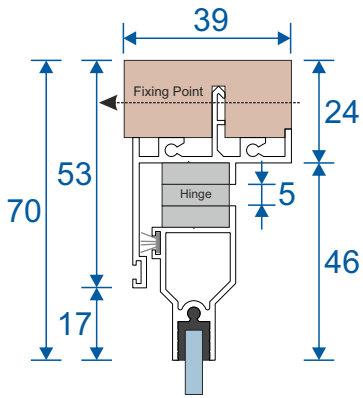


Double Butt Hinged  
Max Opening Angle: 150°±

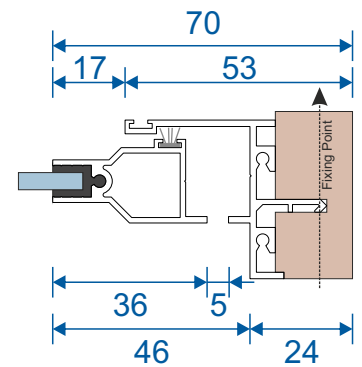
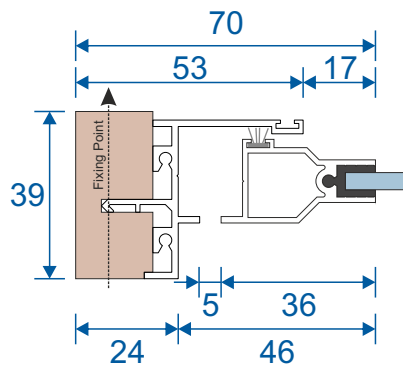
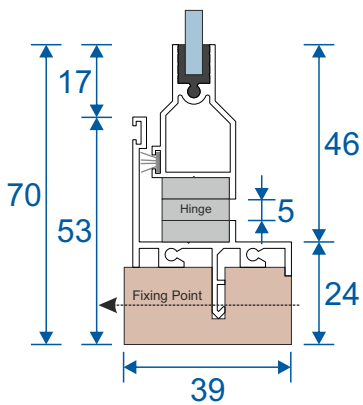


# Frame Sections

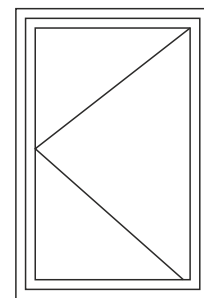
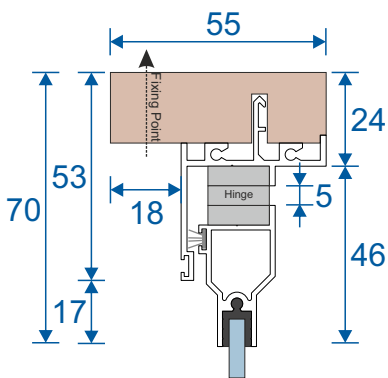
## Single Side Hung Friction Hinged - Face Fix



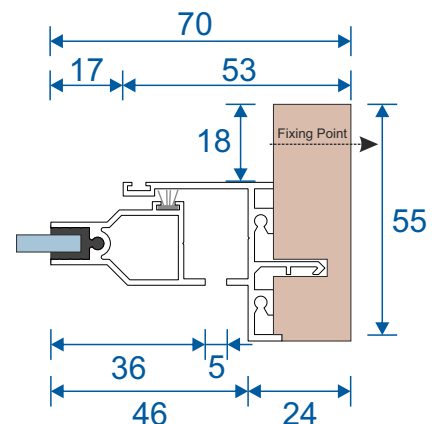
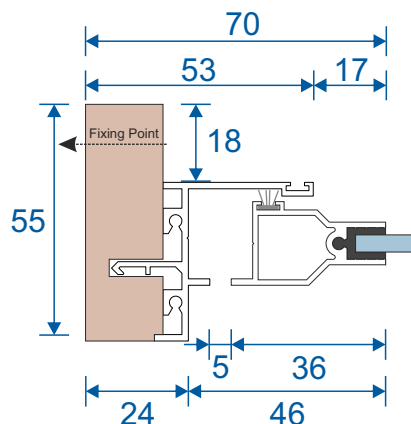
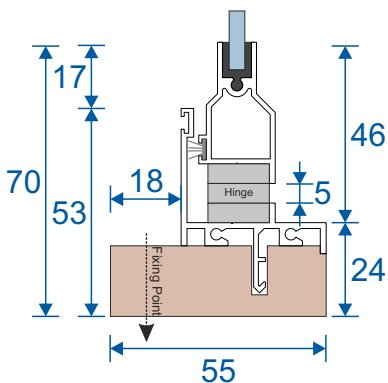
Single Friction Hinged  
Max Opening Angle:  $65^{\circ} \pm$



## Single Side Hung Friction Hinged - Reveal Fix

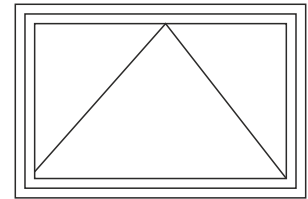
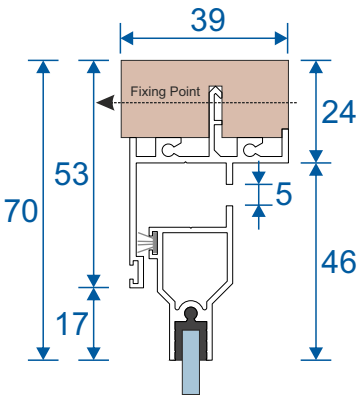


Single Friction Hinged  
Max Opening Angle:  $65^{\circ} \pm$

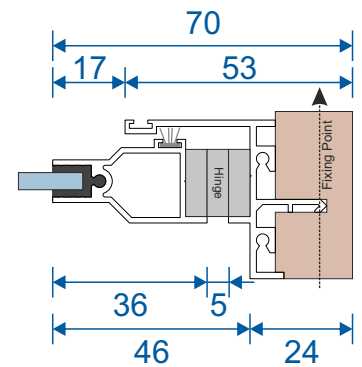
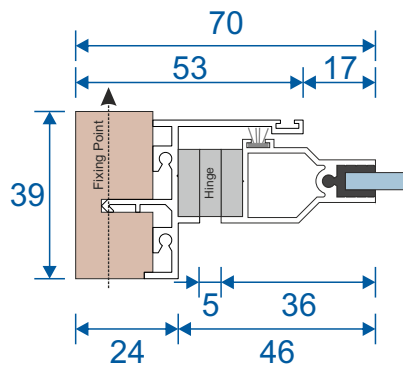
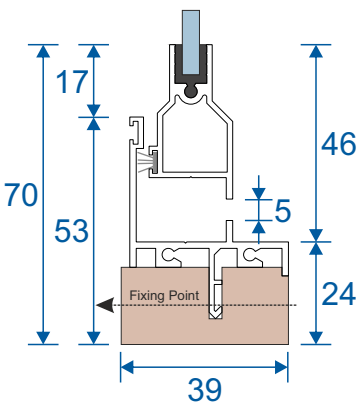


# Frame Sections

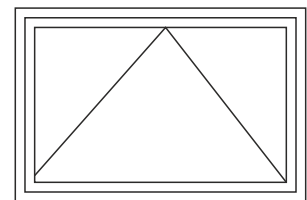
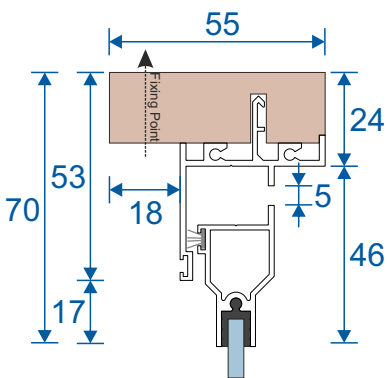
## Single Top Hung Friction Hinged - Face Fix



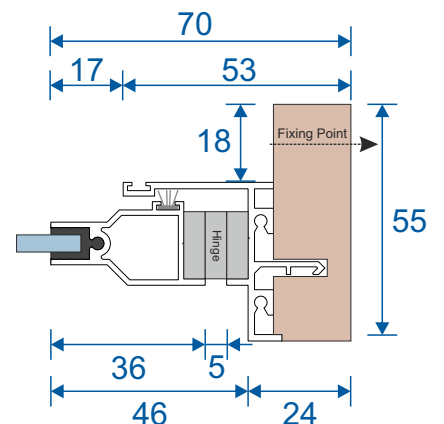
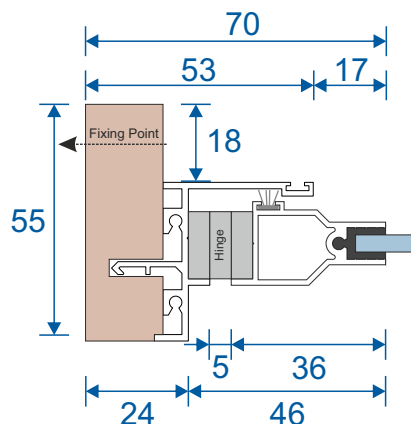
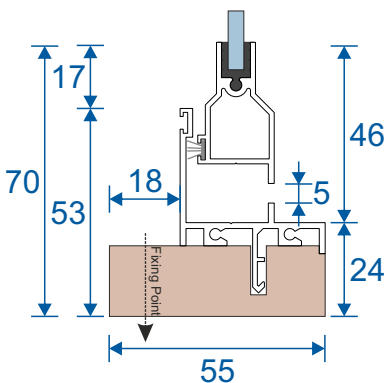
Single Friction Hinged  
Max Opening Angle: 65°±



## Single Top Hung Friction Hinged - Reveal Fix



Single Friction Hinged  
Max Opening Angle: 65°±



Duration Windows  
Thames Development  
Charfleets Road  
Canvey Island  
Essex. SS8 0PQ

[sales@duration.co.uk](mailto:sales@duration.co.uk)  
[www.duration.co.uk](http://www.duration.co.uk)

**Head Office** 01268 681612  
**Showroom** 01268 695100